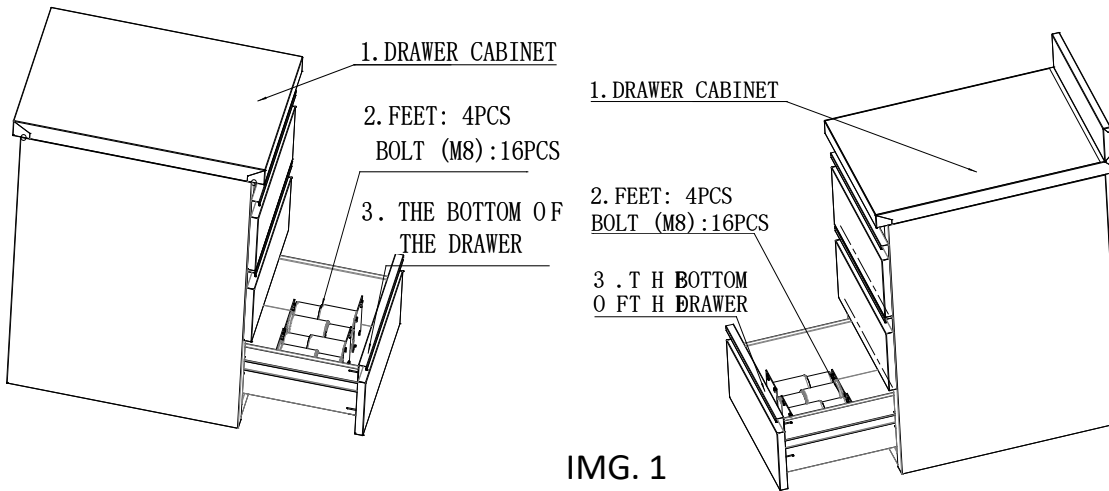
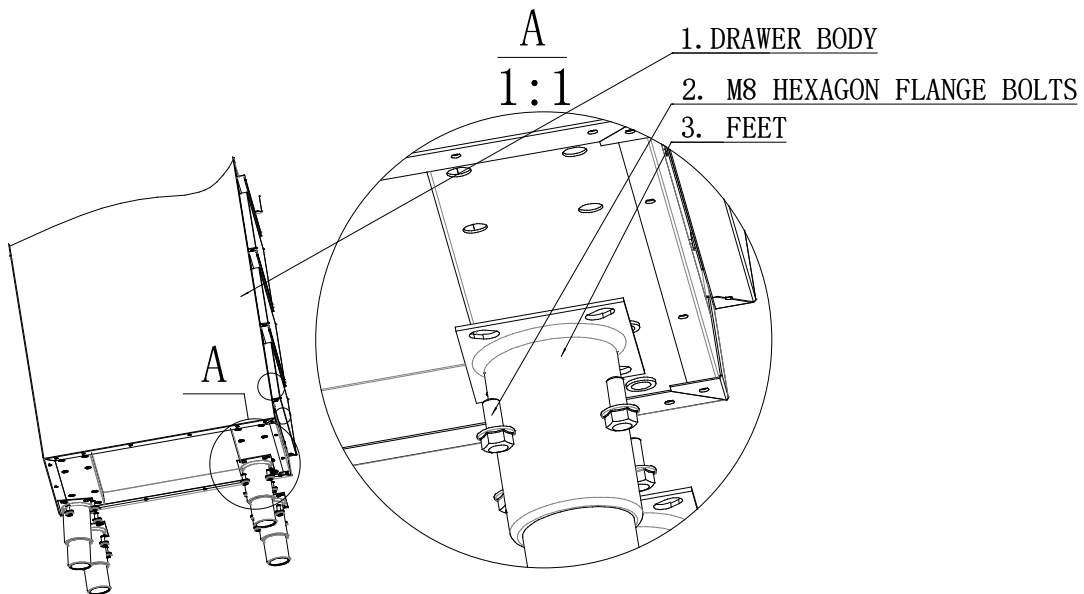


DRAWER UNIT CUPBOARD INSTALLATION INSTRUCTIONS

1. Take out the adjustable feet and bolts from the last drawer of the cabinet. (IMG.1)



2. Put the cabinet horizontal carefully, install the feet one by one with the bolt and spanner. (IMG. 2)



IMG. 2